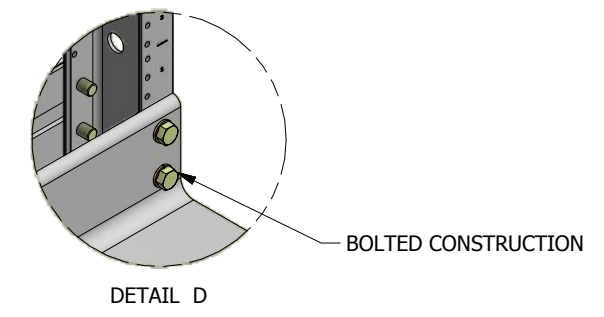


BHRR194
 DISTRIBUTION RACK
 MATERIAL: ALUMINUM
 RACK INCLUDES:

PARTS LIST	
QTY	DESCRIPTION
2	3" VERTICAL CHANNEL
2	1 1/2" X 1 1/2" TOP ANGLE
2	3 1/2" X 6" BASE ANGLE
12	3/8"-16 X 7/8" HEX HEAD BOLTS
12	3/8" LOCK WASHERS
12	3/8" HEX NUTS
30	#12-24 X 5/8" MACHINE SCREWS

COLOR: BLACK
 FINISH: POWDERCOAT
 STANDARD PACKAGING



BELDEN

THIS DRAWING AND ALL INFORMATION CONTAINED HEREIN IS THE PROPERTY OF BELDEN. ANY USE, COPY OR REPRODUCTION OF THIS MATERIAL WITHOUT WRITTEN PERMISSION OF BELDEN IS PROHIBITED.

BHRR194
 ALUMINUM RELAY RACK

APPROVED BY:	DRAWING AUTHOR: JWP
APPROVAL DATE:	
UNITS: INCH	Sheet 1 of 1 B
SCALE:	DATE: 1/8/2018

TECHNICAL

REV	DESCRIPTION	BY	DATE